

TOX136B SPECIFICATIONS

INOX raised deck-mount swan-neck basin spout

FEATURES:

- Single-hole, raised deck-mount swan-neck basin spout
- Durable and sleek design
- Stainless steel AISI 304
- 8¼" spout projection
- Less drain

SPECIFICATIONS:

Warranty:	Limited lifetime warranty (residential) One year warranty (commercial)
Connection:	½" NPT
Material:	Stainless steel AISI 304
Flow rate:	1.2 gpm @ 60 PSI
Shipping weight:	1.63 lbs (0.74 kg)*
Shipping dimensions:	(LWH) 11¼" x 22½" x 2¾" (285mm x 570mm x 72mm)*

FINISH:

- Satin (-S)

ACCESSORIES (sold separately):

- Recommend TOX711R/SA-S deck-mount single-lever basin mixer
- Recommend TOX811R/SA-S wall-mount single-lever basin trim set
- Recommend TW120 or TW121 push-button waste

INSTALLATION:

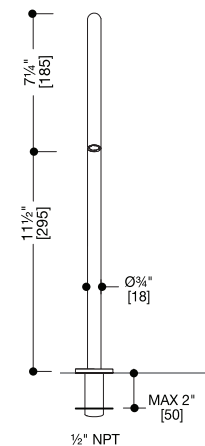
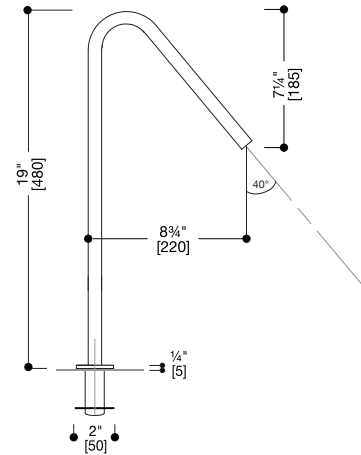
Install this product according to the installation guide. Our products must be installed by certified professionals only and according to our installation guide as well as federal, provincial/state and local building codes and regulations.

CARE AND MAINTENANCE:

See Installation Manual

CODES / STANDARDS APPLICABLE:

- Meets or exceeds ANSI / ASME standard A112.18.1 and CAN / CSA B125.1-05 requirements
- Listed with IAPMO bearing the UPC / cUPC mark
- ADA compliant
- Calgreen compliant
- California AB1953 compliant



*Approximate measurements for comparison only.
Note: These dimensions and specifications are subject to change without notice.