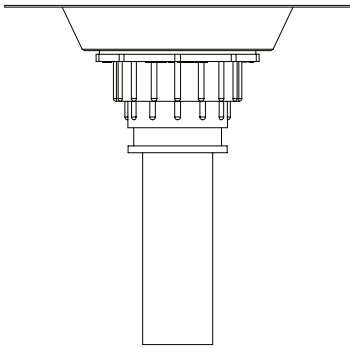
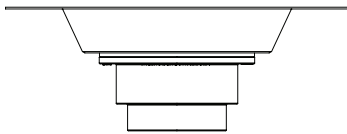


Island Tub Drain

Installation Guide



BTWaste.RN



BTWasteCI.RN

Attention — Before Installation

Thank you for choosing from among Blu's quality line of products. We recommend that you carefully read this installation guide to ensure your bathtub's proper operation and reliability for many years to come.

Adhere to all local building and plumbing codes. The diagrams in this guide are not construction plans. They are visual aids.

Installation Requirements

Please read the instructions carefully so as to avoid any damage to the fixture.

1. To ensure this product is installed properly, you must read and follow these guidelines.
2. The owner/user of the product must keep this information for future reference.
3. Consult local building codes to make sure the installation complies with standards.
4. Remove the unit from its packaging. Before disposing of it, inspect the unit to make sure its in good shape. Should inspection reveal any damage or defect in the finish, contact your distributor. The warranty does not cover damages or defects in the finish once it has been installed. Blu Bathworks' responsibility for shipping damages ceases upon delivery of the product in good order to the carrier. All complaints regarding damage due to transport must be made directly to the carrier.

Technical Support Assistance

If further assistance is required, please contact:

Product Support at 1.866.907.0122 (09:00 – 17:00hrs PST) or email technical@blubathworks.com

North America

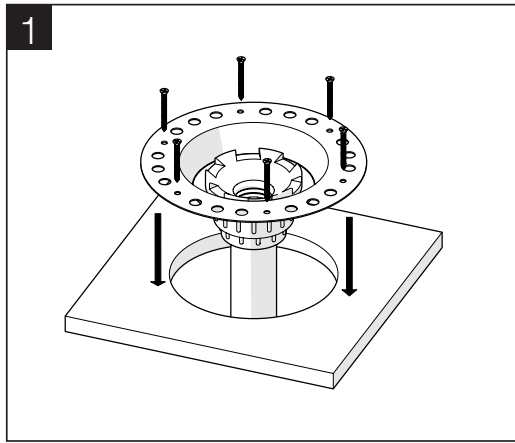
Blu Bathworks Inc.

T +1.604.299.0122 F +1.604.299.0125

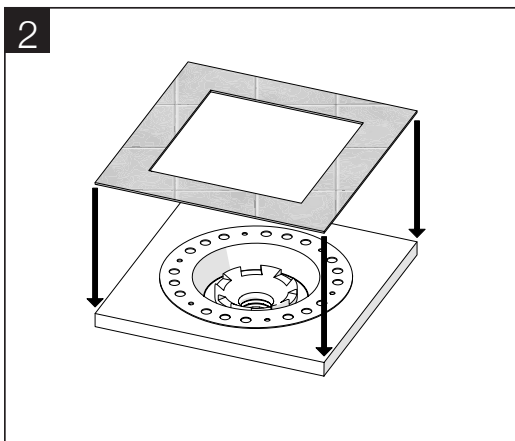
Please refer to blubathworks.com for warranty, terms & conditions under warranty & procedure for warranty service.

Installation Instructions

IMPORTANT: Do not remove Installation Label until Step 3. DO NOT CUT THE SUPPLIED BRASS TAIL PIECE. Doing so may cause a leak. Disassembling the drain or cutting the tail piece will void the warranty.

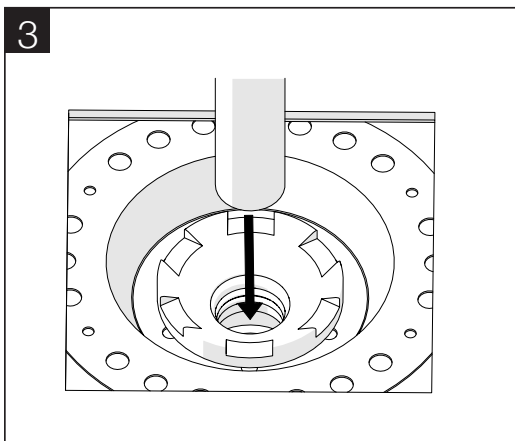


- Cut 6½" (16.5 cm) hole into wood sub-floor (use supplied cutout template)
- Measure and cut ABS tail piece as necessary to ensure a secure connection to trap below
- Insert drain assembly into floor opening and connect to pipe below
- Affix to sub-floor with 6 screws (not supplied)



- Install flooring surface, leaving a 6½" opening to access drain
- Affix the appropriate brass tail piece to the waste & overflow

NOTE: DO NOT CUT THE BRASS TAIL PIECE AS THIS MAY CAUSE A LEAK. Ensure the measurement between the base of the drain and trap will accommodate the tail piece.



- Cut out the installation label with a utility knife and remove to expose the drain
- Apply lubricant (supplied) to the tail piece
- Position the tub and brass tail piece in-line with the drain
- Carefully lower the tub with the installed brass tail piece into the red collar in drain assembly. Ensure tail piece is fully engaged with seal



Sub-Floor Cutout Template for ITD35

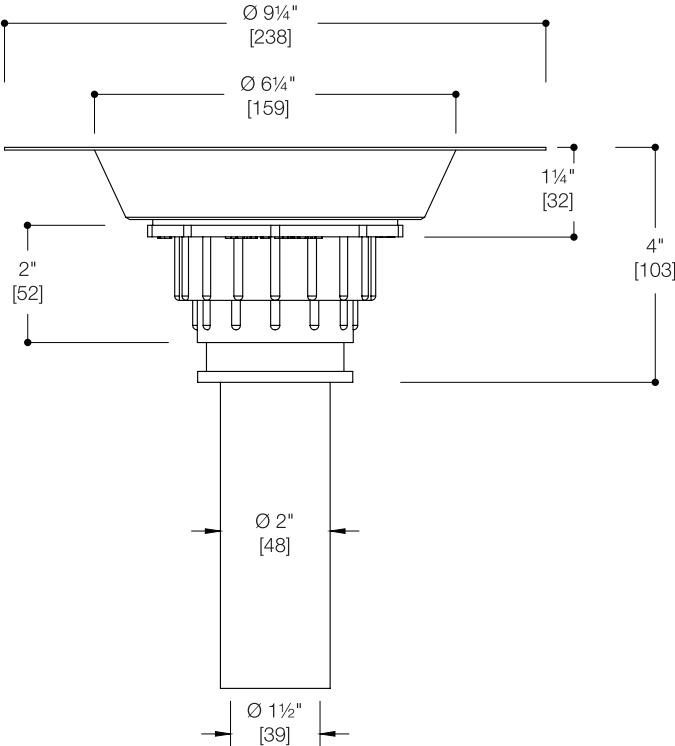
Gabarit de découpage de Sous-Plancher pour ITD35

6-1/2" (16.5 cm) Diameter Hole

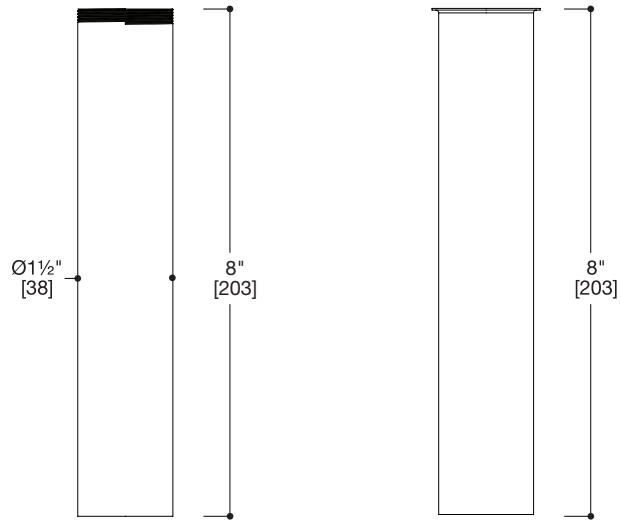
+

Trou de diamètre 6-1/2" (16.5 cm)

BTWaste.RN



BTWasteCI.RN



Fine Thread Tailpiece

Flanged Tailpiece

