

TEP421.01 SPECIFICATIONS

pure·2 electronica deck-mounted thermostatic tubfiller with handshower

FEATURES:

- Four-hole deck-mounted thermostatic tubfiller with electronic valve control
- Includes round wand handshower & flexible hose
- 8¼" spout projection with customized laminar flow
- Single-handle temperature control
- High-flow valving
- High-temperature limit setting for added safety
- Temperature-balancing mechanism
- Scald hazard prevention
- Integral stops
- Crossflow prevention
- Serviceable filter screens
- Requires TS430 rough-in



SPECIFICATIONS:

Recommended: 14.5-72.5 psi (1-5 bar)

Water Supply:

Operating pressure max: 145 psi (10 bar)
 Test Pressure: 232 psi (16 bar)
 Difference of input pressure: < 14.5 psi (1 bar)
 Flow rate: 8.0 gpm @ 60 PSI
 handshower 2.0 gpm @ 80 PSI

Connections:

Inlet: 2x ½" female thread
 Outlet: 2x ½" female thread

Temperatures:

Operating environment: 4-40°C / 40-140°F
 Humidity: max. 95% (non-condensing)

Electricity:

Line voltage: 100-240V AC / 50~60 Hz
 Frequency: 50/60Hz
 Power: stand by: <1W
 max: <45W

Warranty:

Limited lifetime tapware warranty (residential)
 Five year electronic part warranty (residential)
 One year warranty (commercial)

Material:

Brass body

Finish:

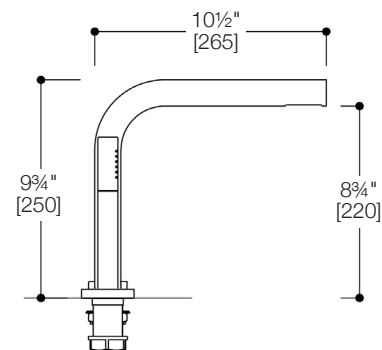
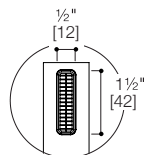
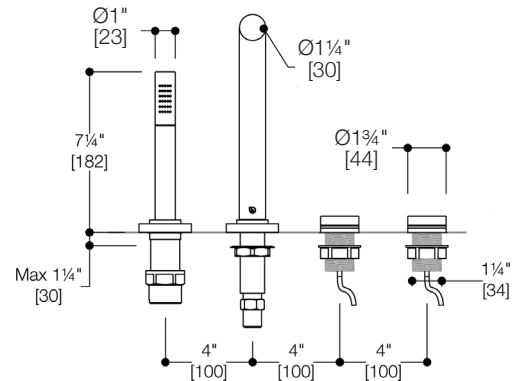
Polished chrome

Weight:

10½lbs (5kg)

Shipping dimensions:

(LWH) 18" x 12" x 5"
 (460mm x 310mm x 120mm)



FOR PURCHASE SEPARATELY:



***Required DUO-1 control mixer TEE030 (specs attached)**

*Approximate measurements for comparison only.
 Note: These dimensions and specifications are subject to change without notice.