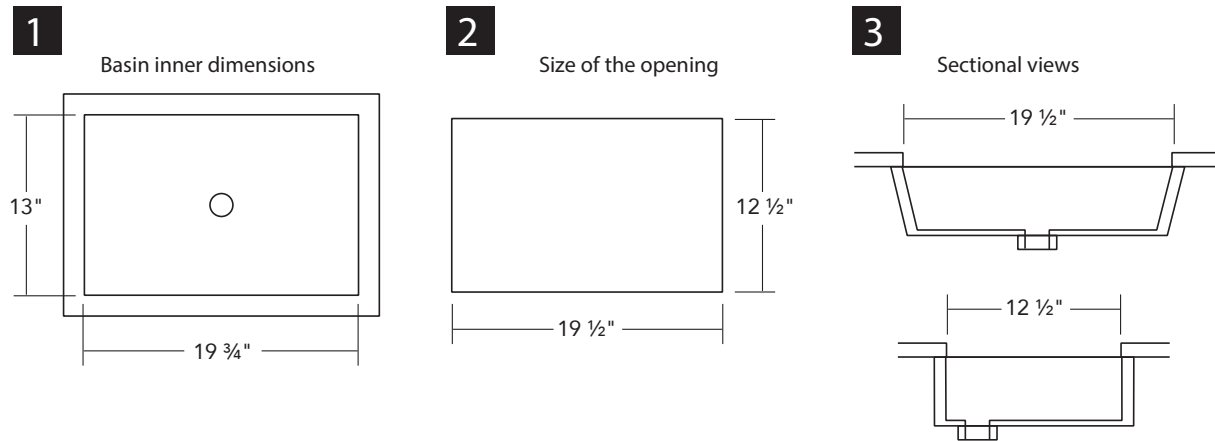


Installation for Under-Counter Basins

NOTE: There is no template supplied with these basins

PREPARATION

1. Install the basic plumbing components: water inlet and drain
2. Determine the size of your opening based on the basin chosen. For example a basin with inside dimensions of 19¾" x 13" (Fig 1), will recommend a counter opening of 19½" x 12½" (Fig 2 & 3), ie ¼" less in both depth and length.

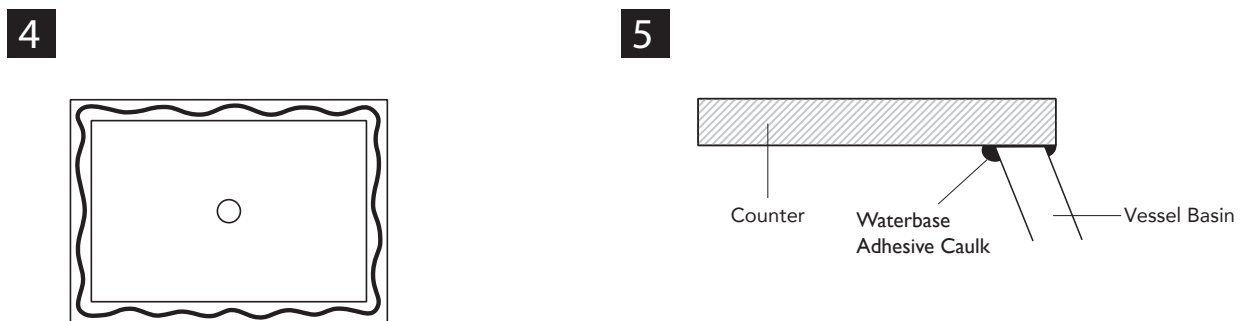


3. Install the basin drain. Read the manufacturer's instructions to ensure you are installing the equipment as you should. Before the final installation phases, check that all connections are waterproof.

INSTALLATION

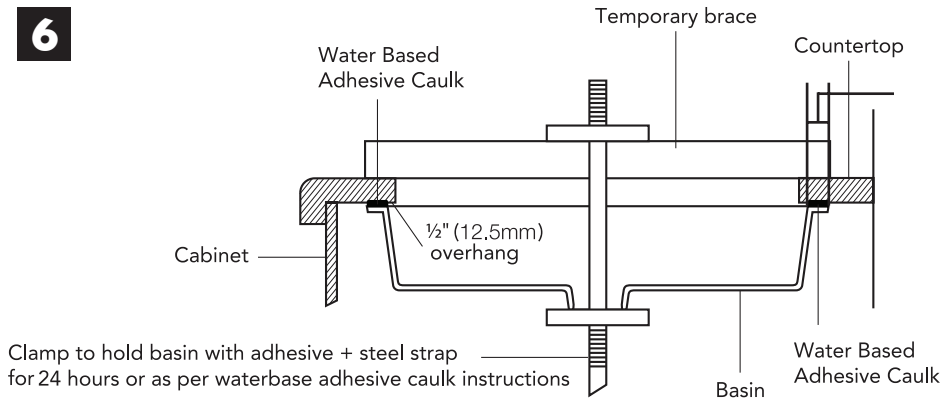
To fix the basin under the counter:

4. Cover the flat rim of the basin with a water based adhesive caulk. Fig 4.
5. Place the basin underneath the counter and press up to ensure there is a good adhesion between the two surfaces that are touching. Fig 5.



FINISHING

6. Position the lavatory squarely under the cutout and use a 'C' clamp to pressure and hold the basin securely to allow the adhesive to dry.



7. Install steel strapping or "L" brackets for extra support. Fig 6.

8. Wipe away excess sealant and fill any voids as necessary. Allow adhesive to set for 24 hours prior to use.

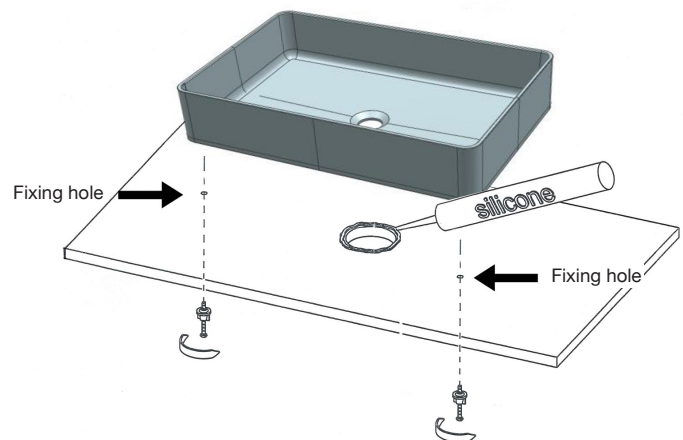
9. Connect the trap to the drain and complete faucet installation per manufacturer's specifications.

10. Run water into lavatory and check entire installation for leaks.

For additional fixing for ONLY the following models: SA0107N37, SA0107N38, SA0209N37, SA0209N38, SA0305N37 & SA0305N38

You may use the provided fixing bag set, but it is required to drill your countertop.

| MODEL | mm | inches |
|-----------|-----|----------|
| SA0107N37 | 310 | 12 3/16" |
| SA0107N38 | 250 | 9 7/8" |
| SA0209N37 | 310 | 12 3/16" |
| SA0209N38 | 250 | 9 7/8" |
| SA0305N37 | 510 | 20 1/16" |
| SA0305N38 | 450 | 17 3/4" |



blu·stone™ cleaning & repair guide

blu·stone™ is Blu Bathworks' signature eco-friendly stone collection; a durable, low maintenance and hygienic material that is high pressure injection molded, non-porous and anti-microbial. blu·stone™ products are stain, scratch and impact resistant, and easy to clean: after each use, simply wipe with a soft cloth to remove any surface dirt.

routine care

- Never expose blu·stone™ to petroleum based products, such as paint removers, oven cleaners or other solvents (**Note:** personal hygiene products and cosmetics will NOT damage the surface)
- We recommend that stains are removed within 24 hours
- Do not directly cut on the blu·stone™ surface
- Blu Bathworks does not recommend exceeding US/ Canada maximum hot water temperature regulations of 150°F/65°C, respectively. Exceeding stated temperatures could result in damage to blu·stone™ products

standard cleaning

For standard cleaning of both gloss and matte finishes, we recommend using widely available cleaning products such as Mr. Clean, Fantastik, VIM, CIF etc. Matte finished products may occasionally require a mildly abrasive product.

blu·stone™ matte finish:

- For more difficult stains, use a mildly abrasive cream cleanser such as Soft Scrub, Comet Soft Cleanser, CIF or VIM

blu·stone™ gloss finish:

- Do not use abrasive products or cream cleansers

scratched or damaged surfaces

blu·stone™ matte finish:

- Ensure there is no surface dirt by flushing with water
- Rub the 600-grit sanding block, provided, in a gentle circular motion
- Higher grit sandpaper may be required to blend the repaired area to match the existing product finish

blu·stone™ gloss finish:

- Ensure there is no surface dirt by flushing with water
- We recommend sanding the area starting with 600, 800 and 1200-grit sandpaper: begin with the lower number (coarser) grit followed with each higher number (finer) in ascending order
- Finish by polishing the surface using a cloth and white polishing compound for automobiles

repairs

For more extensive repairs, send a photograph of your blu·stone™ product to Blu Customer Service (technical@blubathworks.com), who will inform you as to the most appropriate methods to use.

limited warranty

Blu Bathworks' ("Blu") warranty on blu·stone™ products covers all defects in materials and manufacturing for a period of five (5) years from the date of purchase. This limited warranty, starting on the original purchase date, is only offered to the original purchaser who acquires the product directly from Blu or from its authorized dealers. This limited warranty does not apply to cases in which a product was incorrectly installed, nor to damage due to negligence, misuse, thermal shocks, cigarettes, flames, natural catastrophes or other accidents. Blu is not responsible for costs and claims that may arise from purchase of a product unsuited to the structure of the existing building. Any transformation or alteration made to a Blu product automatically voids the warranty. Blu's warranty is limited to repair or replacement (with a product of equal value), provided the claim is made to an authorized dealer or directly to Blu, within the warranty period. Labor costs and any other expenses entailed by replacement of a Blu product are not covered by the warranty.