

# QFH-2300 SPECIFICATIONS

## INOX spiral shower hose

### FEATURES:

- 59" spiral handshower hose

### SPECIFICATIONS:

- Warranty: One Year Limited Warranty (Residential)  
One Year Limited Warranty (Commercial)
- Connection: G 1/2"

### FINISHES:

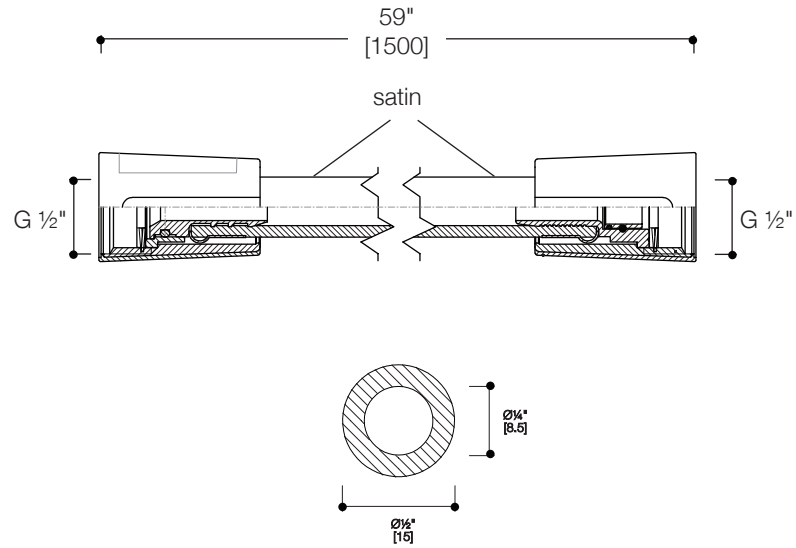
stainless steel (-AS)

### INSTALLATION:

Install this product according to the installation guide.  
Our products must be installed by certified professionals only  
and according to our installation guide as well as federal,  
provincial / state and local building codes and regulations.

### CODES / STANDARDS APPLICABLE:

- Meets or exceeds ANSI / ASME standard  
A112.18.1 and CAN / CSA B125.1-12 requirements



\*Approximate measurements for comparison only.  
Note: These dimensions and specifications are subject to change without notice.