

TC804 SPECIFICATIONS

wall union with hand shower stand

FEATURES:

- Round water outlet with handshower stand, round trim
- Durable polished chrome finish
- Brass body, ABS trim

SPECIFICATIONS:

Warranty:	Lifetime Limited Warranty (Residential) One Year Warranty (Commercial)
Material:	Brass + ABS
Connection:	1/2" NPT
Shipping Weight:	0.7lbs (0.3kg)
Shipping dimensions:	4 3/4" x 3" x 2" (120mm x 75mm x 50mm)

FINISHES:

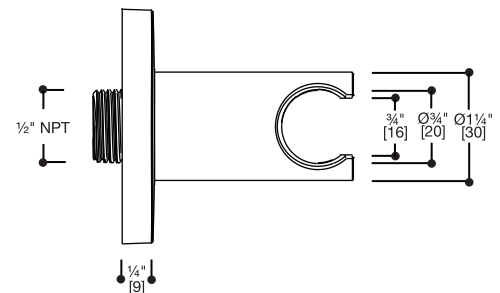
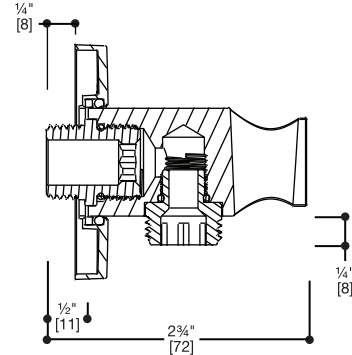
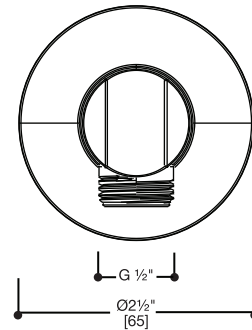
Polished chrome

INSTALLATION NOTES:

Install this product according to the installation guide. Our products must be installed by certified professionals only and according to our installation guide as well as federal, provincial / state and local building codes and regulations.

CODES / STANDARDS APPLICABLE:

- Meets or exceeds ANSI / ASME standard A112.18.1 and CAN / CSA B125.1-05 requirements
- ASME A112.19.2
- IAPMO / UPC / cUPC



*Approximate measurements for comparison only.
Note: These dimensions and specifications are subject to change without notice.