

# TOX711R/BT SPECIFICATIONS

## INOX deck-mount pressure balance single-lever tub/shower mixer

### FEATURES:

- Single-lever, deck-mount tub/shower mixer
- Controls volume & temperature
- 19" flexhoses supply provided
- Durable and sleek design
- Stainless steel AISI 304
- Compatible with all INOX tub spouts



### SPECIFICATIONS:

Warranty:	Limited lifetime warranty (residential) One year warranty (commercial)
Connection:	3/4" NPT flexhoses (provided)
Material:	Stainless steel AISI 304
Cartridge type:	Ceramic cartridge S.T.S.R Italy
Flow Rate:	9-12 gpm @ 60 PSI (free outlet)
Shipping weight:	3.9 lbs (1.8 kg)
Shipping dimensions:	(LWH) 22 1/4" x 11 1/2" x 2 3/4" (565mm x 290mm x 70mm)*

### FINISHES:

- Satin (-S)

### INSTALLATION:

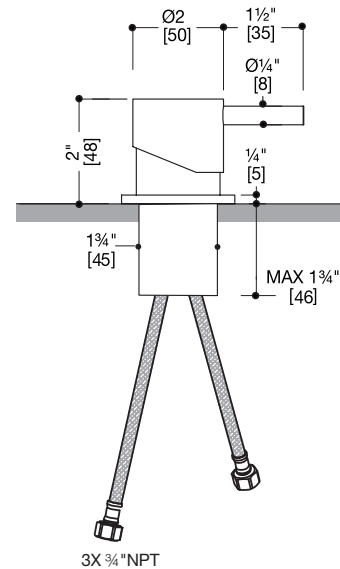
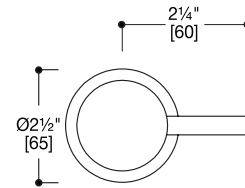
Install this product according to the installation guide. Our products must be installed by certified professionals only and according to our installation guide as well as federal, provincial/state and local building codes and regulations.

### CARE AND MAINTENANCE:

See Installation Manual

### CODES / STANDARDS APPLICABLE:

- Meets or exceeds ANSI / ASME standard A112.18.1 and CAN / CSA B125.1-05 requirements
- Listed with IAPMO bearing the UPC / cUPC mark
- ADA compliant
- California AB1953 compliant



ADA AB1953

\*Approximate measurements for comparison only.  
Note: These dimensions and specifications are subject to change without notice.