

# TOX711R/SA SPECIFICATIONS

## INOX deck-mount single-lever basin spout mixer

### FEATURES:

- Single-lever, deck-mount basin spout mixer
- Controls volume & temperature
- 19" flexhoses supply provided
- Durable and sleek design
- Stainless steel AISI 304
- Compatible with all INOX basin spouts



### SPECIFICATIONS:

Warranty:	Limited lifetime warranty (residential) One year warranty (commercial)
Connection:	2 x 3/8" comp, 1 x 1/2" NPT
Material:	Stainless steel AISI 304
Cartridge type:	Ceramic cartridge KEROX
Flow Rate:	5.5 gpm @ 60 PSI (free outlet)
Shipping weight:	1.6 lbs ( 0.73 kg)
Shipping dimensions:	(LWH) 11 1/4" x 6 3/4" x 2 3/4" (285mm x 170mm x 72mm)*

### FINISHES:

- Satin (-S)

### ACCESSORIES:

- TOX135 deck-mount swan-neck basin spout
- TOX135B deck-mount swan-neck basin spout
- TOX136 deck-mount raised swan-neck basin spout
- TOX136B deck-mount raised swan-neck basin spout
- TOX235 deck-mount square basin spout
- TOX236 deck-mount raised square basin spout

### INSTALLATION:

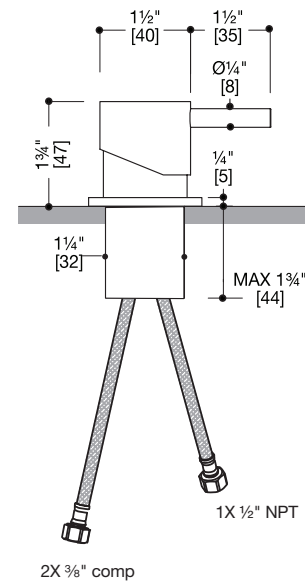
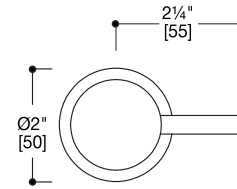
Install this product according to the installation guide. Our products must be installed by certified professionals only and according to our installation guide as well as federal, provincial/state and local building codes and regulations.

### CARE AND MAINTENANCE:

See Installation Manual

### CODES / STANDARDS APPLICABLE:

- Meets or exceeds ANSI / ASME standard A112.18.1 and CAN / CSA B125.1-05 requirements
- Listed with IAPMO bearing the UPC / cUPC mark
- ADA compliant
- California AB1953 compliant



\*Approximate measurements for comparison only.  
Note: These dimensions and specifications are subject to change without notice.